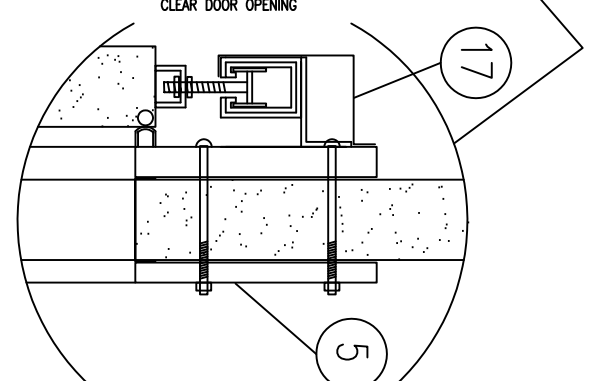
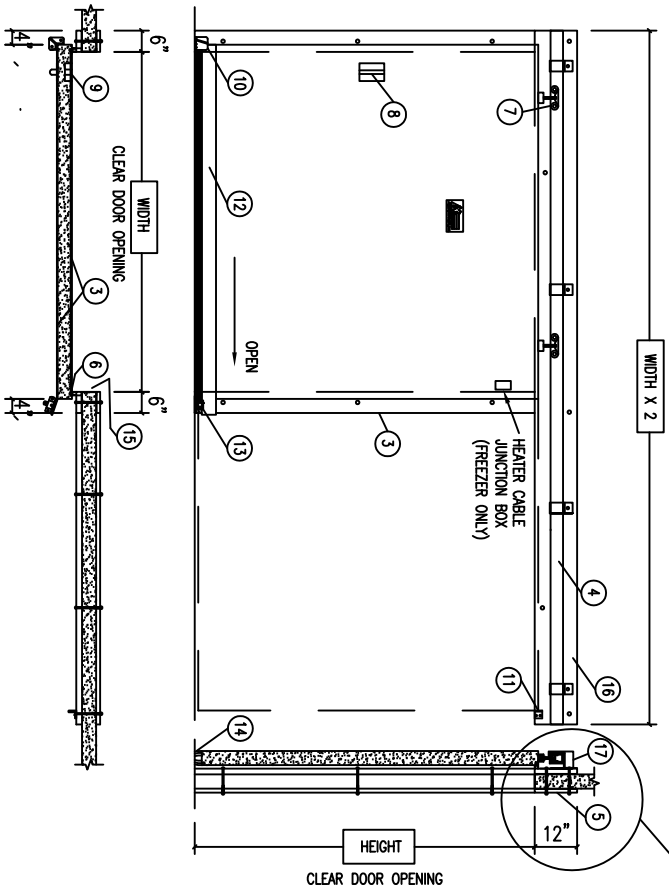


MANUAL SLIDING DOOR (OPEN FROM LEFT TO RIGHT)

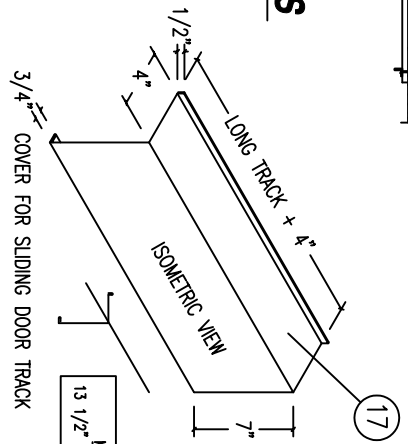


STANDARD FEATURES

- 1- AK-GREEN DOT 225 ULTRA H-DENSITY™
* EPS INSULATION FOR COOLER AND FREEZER
WITH A 20 YEAR CONSTANT R-VALUE WARRANTY,
K-FACTOR=0.18 FIRE RATING OF 25, SMOKE DEVELOPED 300.
- 2- ACRYLIC COATED GALVALUME METAL FINISH
IN & OUT
- 3- OUTSIDE CASING OF 1 5/8" X 12" METAL CLAD
WITH BUBBLE NEOPRENE GASKET ON 3 SIDES
- 4- ASSEMBLED WITH HEAVY DUTY TRACK,
ADJUSTABLE IN-OUT, UP-DOWN
- 5- INSIDE CASING OF 1 5/8" X 12" METAL CLAD
TOP, & 6" SIDES
- 6- HEATER CABLE 110 VOLT WITH 1. BOX
ON FREEZER DOORS
- 7- TWO, 4-WHEEL BEARING TROLLEYS
- 8- OUTSIDE CHROME-PLATED 8 1/4" PULL HANDLE
- 9- INSIDE RECESSED PULL HANDLE
- 10- FRONT DIE CAST DOOR STOP
- 11- REAR DOOR STOP BUMPER
- 12- TRAILER ALUMINUM EDGE 4" HIGH WITH 3" WEDGE
- 13- REAR FLOOR GUIDE ROLLER
- 14- DOUBLE NEOPRENE BOTTOM SWEEP GASKET
- 15- 4" PVC CHANNEL FOR 4" WALL OR 1" X WALL THICKNESS METAL
CHANNEL FOR WIDER WALLS
- 16- COMPLETED ASSEMBLED TRACK SYSTEM FOR EACH INSTALLATION
- 17- COVER FOR SLIDING DOOR TRACK.

STANDARD SIZES

WIDTH	HIGH
5'	7'
5'	8'
5'	8'
6'	8'
7'	8'
8'	8'
9'	8'
10'	8'



REQUIRED INFORMATION

COOLER TEMPERATURE
 FREEZER TEMPERATURE

CLEAR DOOR OPENING IS: _____

DOOR SIZE IS: _____

HEATER CABLE 110 VOLT 220 VOLT

KICK PLATE OUTSIDE:

24" HIGH 48" HIGH

PLASTIC STRIP CURTAIN SIZE: _____

OTHERS: _____



MANUAL SLIDING DOOR

SCALE: _____ DRAWN BY: _____ DATE: 06/29/06 REV: _____

575 EAST 10th AVENUE, HIALEAH, FLORIDA 33010
 TEL. (305) 884-8384, TOLL FREE 1(800) 627-5665
 FAX (305) 884-8330

06-29-06