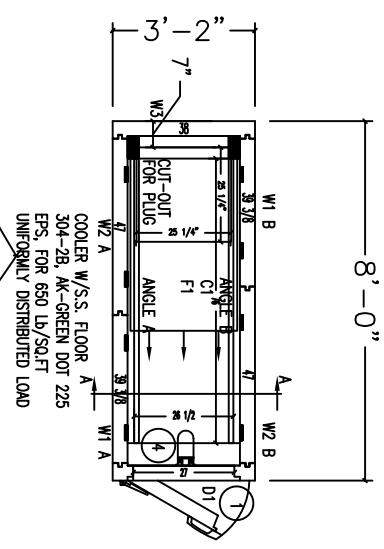
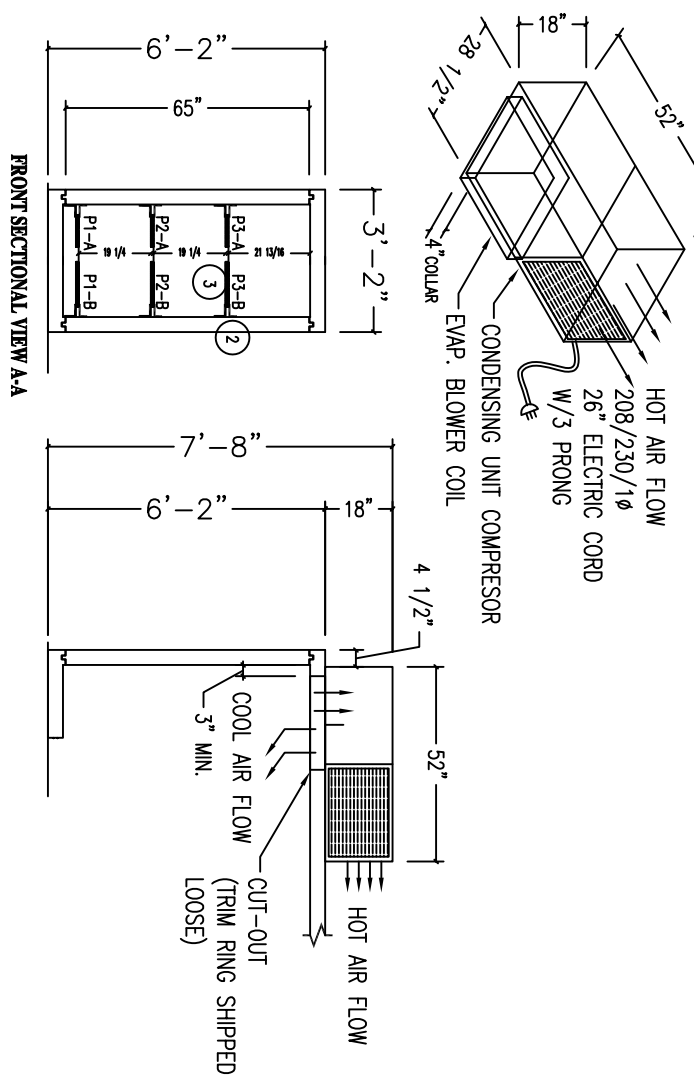


AMERIKOOLER MORTUARY SYSTEM
 SHIPPED ASSEMBLED CRATED AND
 REFRIGERATION SHIPPED SEPARATED ON CRATED



NO.	PART	QTY
1	STAINLESS STEEL DOOR & FRAME FLUSH MAGNETIC SELF CLOSING WITH KEY HANDLE AND DOOR CLOSER	6
2	ACRYLUME CHANNEL OF WALLS	6
3	SLIDING BODY TRAY	6
4	COOLER AND FREEZER AK-GREEN DOT 225 ULTRA HI-DENSITY™ 4" EPS INSULATION WITH A 20 YEAR CONSTANT R-VALUE WARRANTY, K-FACTOR=0.18 FIRE RATING OF 25, SMOKE DEVELOPED 300.	6
6	CLEAR ACRYLUME COATED GALVALUME METAL FINISH INSIDE AND OUTSIDE (EXCEPT FRONT EXTERIOR DOOR)	6



DOOR ELECTRICAL DATA		OHMS	VOLTAGE	AMP. EACH DOOR	TOTAL AMP.
1	FLUSH 26" X 69" COOLER DOOR & LIGHT		120/1	1.0	1.0

REFRIGERATION: UL, NSF LISTED
 PRO. 3-TOP-MOUNTED, SELF-CONTAINED HERMETIC UNIT (MED TEMP +35°F, LOW TEMP 0°F)
 INDOOR REMOTE

PRO. 3	HP	VOLT	PHASE	BTU	AMP
+35°F	1 1/2	208/230	1	4980	20
0°F	1 1/2	208/230	1	7000	20

- TOP-MOUNT READY REFRIG. SYSTEM (SHIPPED LOOSE CRATED) (READY T O GO)**
- 1-DO NOT USE EXTENSION CORD TO CONNECT UNIT TO POWER SUPPLY
 - 2-ALL CONTROLS ARE PRE-SET
 - 3-FOR INDOOR USE ONLY. AMBIENT 95°F
 - 4-UNIT MUST NOT BE ENCLOSED IN AN UNVENTILATED SPACE. NEED VENTILATION
 - 5-FLUSH BLOWER COIL WITH CEILING PANEL
 - 6-REFRIGERATION SIZES IS FOR HOLDING APPLICATIONS.
 - NO OTHER LOAD HAVE BEEN CALCULATED.
 - 7-JUST PLUG-IN 208/230/1Ø (20 AMP.)
 - 8-DO NOT NEED DRAIN LINE, COMES WITH EVAPORATOR PAN.
 - 9-WILL FIT IN ROOM CEILING HEIGHT OF 8'-0" OR HIGHER.
 - 10-SHIPPED ASSEMBLED AND CRATED.
 - 11-REFRIGERATION SYSTEM LOOSE, CRATED

AMERIKOOLER WALK-IN LISTINGS:
 NSF, UL, CITY OF NEW YORK, M.E.A
 CITY OF HOUSTON TX BUILDING DEPT
 STATION OF OREGON



SAMPLE DRAWING (OF AN EXISTING JOB)

SCALE: DRAWN BY: RP DATE: 06/29/06 REV:

575 EAST 10th AVENUE, HIALEAH, FLORIDA 33010
 TEL. (305)884-8384. TOLL FREE 1(800)627-5665
 FAX. (305)884-8330